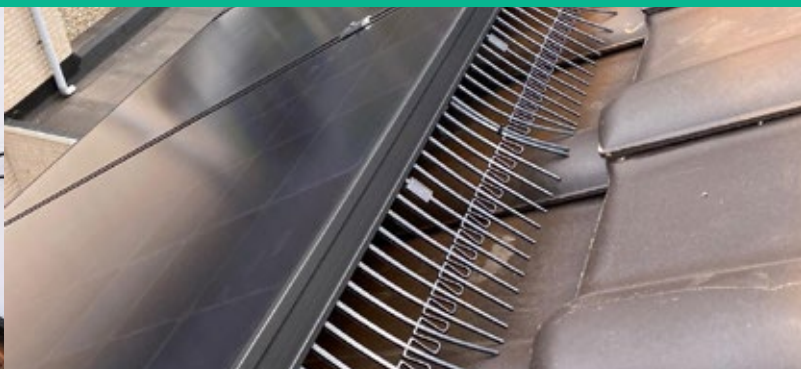


SOLAR PANELS? THE PROFESSIONALS WAY TO KEEP BIRDS AT BAY!



Without BirdBlocker



With BirdBlocker

You are a solar panel professional and know that competition in your industry is high. This is why you want to look ahead, keep on innovating and always give customers up-to-date advice. This is what characterises craftsmanship. But your projects also need to be and remain financially stable. Sounds challenging? Work with BirdBlocker.

Bird nests on or under solar panels all have one unfortunate outcome: they cause misery! BirdBlocker does what it says on the tin, preventing birds from nesting and causing damage, broken cables, fire hazards and a loss of efficiency. BirdBlocker is the cost-saving, animal-friendly and sustainable innovation for your home (or rather, for your roof!). Here are the reasons why both professional and consumers love it:

- **Higher efficiency:** with no 'bird pollution' (twigs, etc.) under the panel, ventilation is optimal. This prevents the system from overheating, therefore ensuring a much better performance from the solar panels.
- **Damage-free solar panels:** with solar panels come cables. BirdBlocker prevents birds from destroying these cables with their beaks, claws or the acid in their faeces.
- **Save on repairs:** with BirdBlocker, you can prevent birds from returning to a previously used nest. This will save you additional mileage, cost of rework and other tricky situations further down the line.
- **A safer roof:** BirdBlocker makes your roof safer and more fire-resistant, as birds like to build their nests using dry, flammable materials. This can easily catch fire, especially when the temperature under the panels increases.

- **Protect your comfort of living:** with birds now making their nests elsewhere, your house will be quieter, cleaner and more peaceful.
- **Less damage:** birds can scratch the underside of solar panels with the branches they use for their nests, causing expensive and often irreparable damage.
- **More animal-friendly:** birds nest under solar panels, where the temperature can reach over 70° C in the summer. This can result in birds abandoning their nests and the eggs being cooked inside their shells.
- **Future-proof:** BirdBlocker complies with IEC and BS 7671 (article 522.10.1). This immediately puts you in a great position for any future mandatory inspections.

Coming back to the topic of high levels of competition: the margins on installations are under pressure. BirdBlocker improves your revenue model, while the average installation time (12 panels) is only one hour for a team of two people. You can sell an add-on service with paid hours and also receive a healthy sales margin, installation leads and marketing support.

You read it correctly: BirdBlocker is the most effective and animal friendliest way to keep birds at bay. Additionally, you get a 10-year material guarantee on our product, which in addition is UV- and frost-resistant. So say goodbye to unpaid repairs/rework and put the focus back on what you do best: delivering craftsmanship as a solar panel professional.

For more information, visit www.birdblocker.com.



BIRDBLOCKER BB-125

- Length of needles: 125 mm
(Needles are interconnected with a strip for greater stability)
- Maximum cover height: 120 mm
- BirdBlocker strips: 50 cm wide
- Material: black UV-resistant and recyclable HDPE
- Mounting clips: stainless steel

Available in 30- and 10-metre packs



BB-TOOL

The BB-Tool is a specially developed tool that makes the installation of BirdBlocker faster and easier. The tool helps you keep the BirdBlocker correctly aligned during assembly, making it easier for the clips to slide onto the panel.

Advantages:

- Using the BB-Tool takes the strain off your fingers during installation.
- The BB-Tool helps BirdBlocker strips to be fitted more accurately during installation, which ensures the clamping force of the clips remains optimal.



STARTER KIT

Simplify the installation of BirdBlocker with our Starter kit. In collaboration with professionals who install BirdBlocker on a daily basis, we have compiled a complete system with high-quality tools for you. Use the Starter kit to install our products more efficiently, faster and with greater accuracy.



QUALITY AND GUARANTEE

Proven reliability: that's the TÜV seal of approval. We are very proud of the fact that TÜV auditing, testing and inspection has determined that all BirdBlocker products are worthy of this market-leading seal of approval. This means that BirdBlocker not only meets the highest quality standards, but has also been found to be safe and environmentally responsible. This instils confidence, and confidence ensures security. Thanks to a ten-year product warranty, you are guaranteed efficient bird control, a safe solar panel system and a satisfied customer.





BIRDBLOCKER BB-200

- Length of needles: 200 mm
(Needles are interconnected with a strip for greater stability)
- Maximum cover height: 195 mm
- BirdBlocker strips: 50 cm wide
- Material: black UV-resistant and recyclable HDPE
- Mounting clips: stainless steel

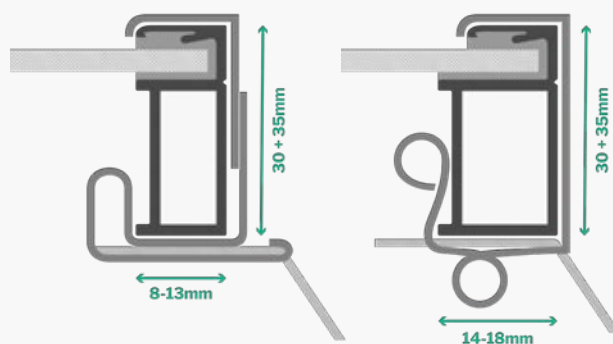
Available in 30- and 10-metre packs



BB-BoxClip-50s

Our unique clips fit 98% of all standard solar panels. For some panels with a box design, we have a product-specific clip that is designed to fit on the short panel sides. Because the box design has no (substantial) flanges, we offer a product-specific clip. For the long sides of the panels, standard clips are compatible.

The improved BB-BoxClip comes in two heights: 30mm and 35mm. Each height is available in two widths covering 8mm – 13mm or 14mm – 18mm. The datasheet of your panel usually shows which dimensions the frame on your specific panel requires.



EASY TO INSTALL

BirdBlocker is very easy and quick to install. The panels do not need to be removed during installation. The BirdBlocker is best cut with our rounded shears. To create a closed system, mitred corners give the best result. In order for the product to function correctly, it needs to be installed to specifications. Scan the QR code and see for yourself how easy it is in our installation manual.



ADVANTAGES

- Developed with more than 20 years of solar industry experience
- Durable product, made to protect your panels for decades to come
- Guaranteed quality, TÜV certified
- In accordance with IEC and BS 7671
- Clean appearance of your roof due to reduced excrement from birds
- 10-year product warranty on the material
- No need to screw, glue or drill, which preserves the warranty on the panels
- Extends life expectancy of your solar panels
- Environmentally conscious design: 100% recyclable
- Its unique material makes it exceptionally UV- and frost-resistant
- Unique sophisticated clip system
- Universally compatible with accepted panel frames
- An extensive partner network of qualified installers



ORIGINS

The idea for BirdBlocker started back in 2017. During his day-to-day work as a solar installer, BirdBlocker founder and developer Paul van der Ven saw first-hand how many problems bird nests can cause. He also noticed how birds themselves can suffer as a result: they nest under solar panels and lay eggs that do not hatch naturally or that end up being cooked in their shells from the heat. 'There must be a better, more efficient, more sustainable and more animal-friendly way' was the thought behind the creation of BirdBlocker.

Paul developed a sustainable solution and quickly made a significant impact with the introduction of BirdBlocker on the market. Demand is growing and BirdBlocker is growing with it. An entire team is now working on a professional, durable and tried-and-tested BirdBlocker as a result. Developed by working with feedback from other installers in the market. How does that show? BirdBlocker is easy to install, universally compatible with accepted panel frames, and the clips do not compromise the warranty of your solar panels.

Choosing innovation. Day after day. Always with the BirdBlocker objective in mind: Preventing nuisance and damage to solar panels with animal friendly solutions. Just like it started out.



WANT TO WORK TOGETHER?

Yes please! At BirdBlocker, we offer a range of different benefits: from financial Opportunities, through installation leads and marketing support. But first let's talk. It's all well and good us talking about BirdBlocker, but we would rather hear from you about what suits your company best.

BirdBlocker
Leemolen 46
2678 MH de Lier
The Netherlands

+31 (0)174 725 725
info@birdblocker.com
www.birdblocker.com
Netherlands Chamber of
Commerce no.: 73692948